



VERSIONS



Forward Square
 ■ 2.5m/8'2"
 ■ 3m/9'10"



Straight Square
 ■ 2.5m/8'2"
 ■ 3m/9'10"



Forward Round
 ■ 3m/9'10"



Straight Round
 ■ 3m/9'10"

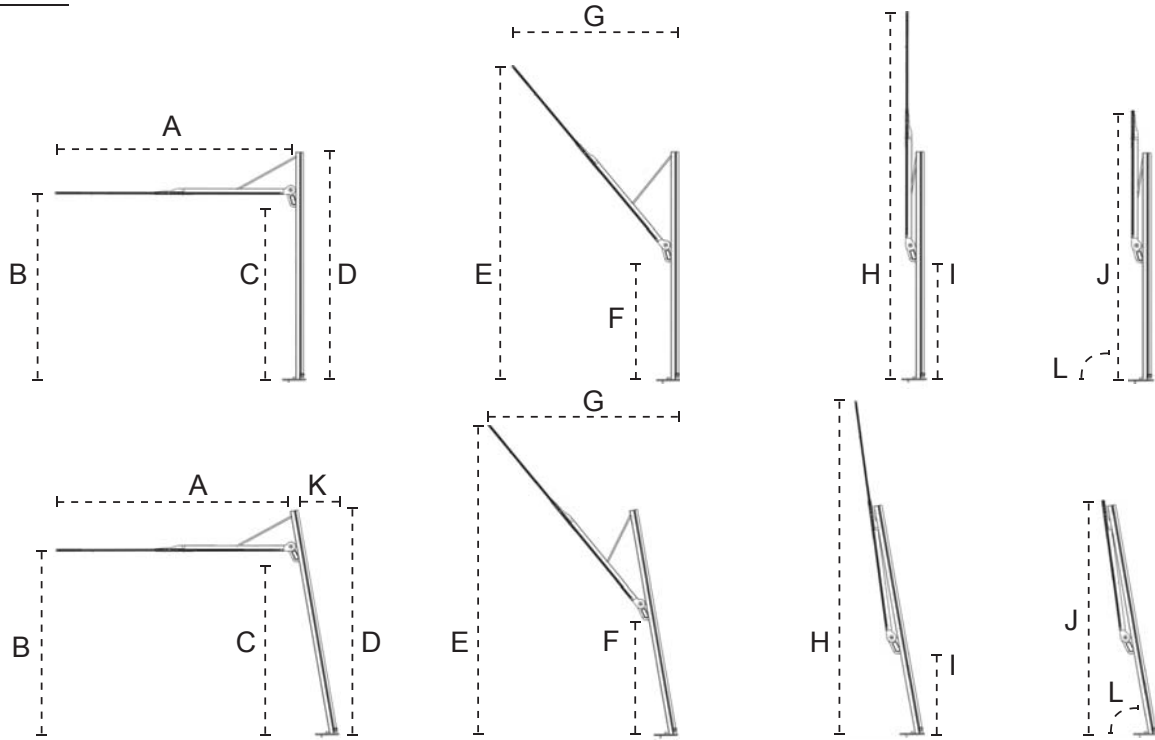
POSITIONS



COLORS

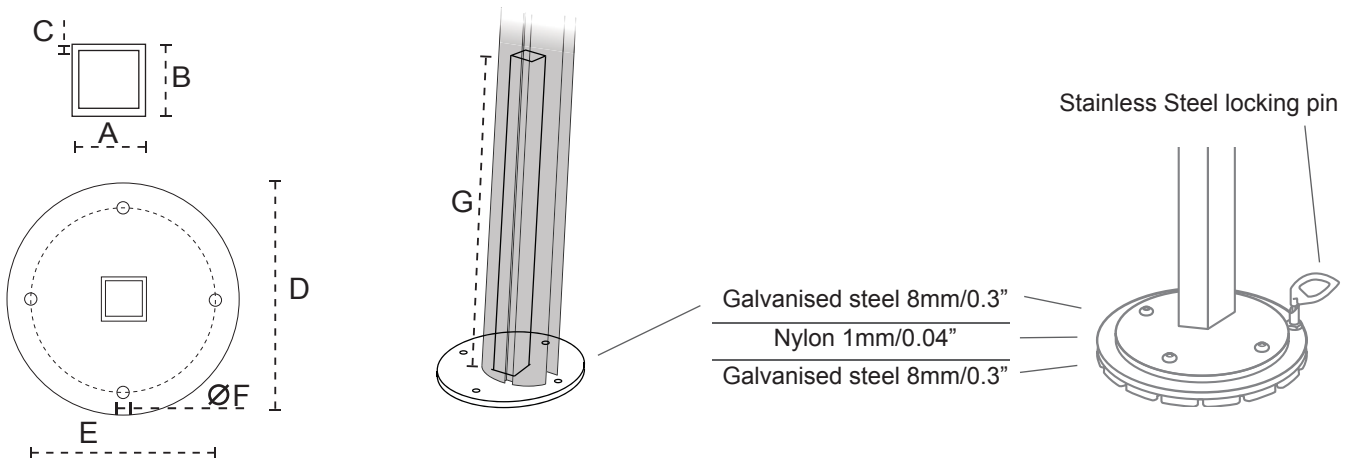
PREMIUM	Alba	Roma	Taupe	Stonegray	Mandarine	Red	Terra	Sunflower	Camel	Mint	Nero
	LIMITED	Canvas	Taupe	Granite	Orange	Paris Red	Pink	Gold	Lagoon	Olive	

DIMENSIONS



	A cm/ft	B cm/ft	C cm/ft	D cm/ft	E cm/ft	F cm/ft	G cm/ft	H cm/ft	I cm/ft	J cm/ft	K cm/ft	L
□ Straight 2.5m	250/8'2"	205/6'9"	195/6'5"	260/8'6"	340/11'2"	150/4'11"	190/6'3"	375/12'4"	100/3'3"	270/8'10"	n/a	90°
□ Straight 3m	300/9'10"	205/6'9"	195/6'5"	260/8'6"	350/11'6"	140/4'7"	230/7'7"	390/12'10"	80/2'8"	270/8'10"	n/a	90°
□ Forward 2.5m	250/8'2"	195/6'5"	185/6'1"	260/8'6"	340/11'2"	150/4'11"	230/7'7"	365/12'	100/3'3"	260/8'6"	65/2'2"	80°
□ Forward 3m	300/9'10"	195/6'5"	185/6'1"	260/8'6"	350/11'6"	140/4'7"	260/8'6"	380/12'6"	80/2'8"	260/8'6"	65/2'2"	80°
○ Straight 3m	300/9'10"	205/6'9"	195/6'5"	260/8'6"	350/11'6"	140/4'7"	230/7'7"	390/12'10"	80/2'8"	270/8'10"	n/a	90°
○ Forward 3m	300/9'10"	195/6'5"	185/6'1"	260/8'6"	350/11'6"	140/4'7"	260/8'6"	380/12'6"	80/2'8"	260/8'6"	65/2'2"	80°

DIMENSIONS/MATERIALS SPIGOT



	A mm/inch	B mm/inch	C mm/inch	D mm/inch	E mm/inch	F mm/inch	G mm/inch
Fixed Base: In-Ground Fitting	40/1.6"	40/1.6"	3/0.12"	215/8.5"	170/6.7"	11/0.43"	490/17.3"

MATERIALS

Stainless Steel
steel Alloy AISI 304 ■

Fabric

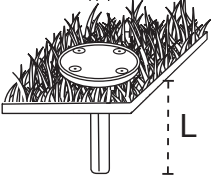
- 'Premium': Olefine 190 g/m²
- 'Limited': 100% Sunbrella Acryl 270 g/m²
- For more detailed info, see spec Fabric

Glass Fiber Ribs

Aluminium


- aluminium Alloy 6060
- anodized(profiles)/powder coated (casted)

BASE OPTIONS



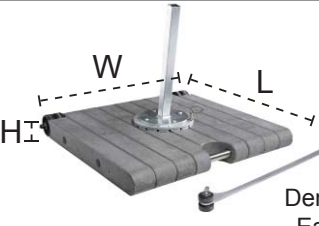
L	P	H	Weight
35 cm	40x40x3 mm	13 cm	n/a
34"	34"	5"	n/a

Galvanised steel ■
Pit of 60x60x40cm ■
or 2"x2"x1'4" fill with concrete



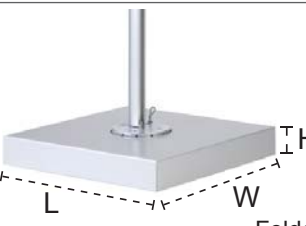
L	W	H	Weight
85 cm	85 cm	12 cm	180 kg
34"	34"	5"	397 lb

Galvanised steel ■
Fill with 12 tiles 40x40x4 cm ■
or 12 tiles 16"x16"x2"



L	W	H	Weight
80 cm	80 cm	8.5 cm	120 kg
34"	34"	5"	265 lb

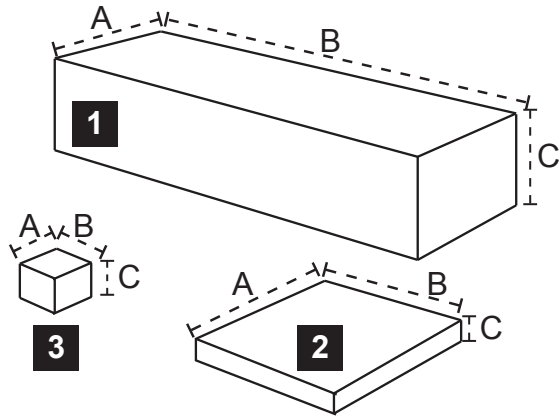
High quality surface finish ■
Demountable for easy transport ■
Easy manipulation with handle ■



L	W	H	Weight
86 cm	86 cm	13 cm	189 kg
34"	34"	5"	417 lb

Natural anodized 15 μ ■
Folded plate aluminium 3mm/0.12" ■

PACKAGING AND TRANSPORT



	qty #	Type	A cm/ft,inch	B cm/ft,inch	C cm/ft,inch	Net weight kg/lb	Brut weight kg/lb
Umbrella Box	1	1	36/1'2"	265/8'9"	33/1'1"	6,4/14.1	32/71
Mobile Base Boxes	1	2	29/11.4"	85/2'9.5"	9/3.5"	0,63/1.4	6/12
	3	2	29/11.4"	85/2'9.5"	9/3.5"	0,63/1.4	40/88
Tile Base Box	1	2	26/10.2"	86/2'10"	8/3.1"	0,59/1.3	10/22
In-Ground Fitting Box	1	4	22/8.7"	22/8.7"	38/1'3"	n/a	3.4/7.5
Alu Cover Box	1	2	87/2'10.3"	87/2'10.3"	14/5.5"	1.2/2.65	10/22

NICE TO KNOW

■ All umbrella's include:



Storage Bag

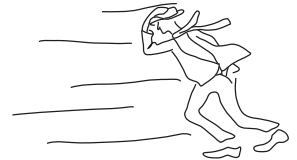
- PU coated fabric
- Can resist a water column of 500mm/1'8"
- Easy to use thanks to zipper and auxiliary tool

- All parts can be ordered separately
- Designed and made in Belgium
- 2 yrs warranty on structure, 3 yrs on decoloration of fabric
- For more info check

www.umbrosa.be
www.youtube.com/UmbrosalInnovation
www.facebook.com/Umbrosa

- As a guideline we refer to the following wind speeds
6 beaufort, 50km/h, 31mph

Tested at **TU Delft**



CONTACT

UMBROSA[®]
UNIQUE SHADE DESIGN

UMBROSA AUSTRIA
Reinhartsdorfgasse 32-34
2324 Rannersdorf
office@umbrosa.at

www.umbrosa.at



The content of this document, in particular the mentioned models, is protected by copyrights and/or design rights. The present document and its content is communicated to you for information purposes only. Any partial or total reproduction or any other use without our prior written permission is strictly prohibited. This technical sheet remains subject to possible changes. Of course we do our best to eliminate all mistakes, but Umbrosa is not responsible for the errors in the documentation of products. All measurements are approximate and are provided for informational purposes only.